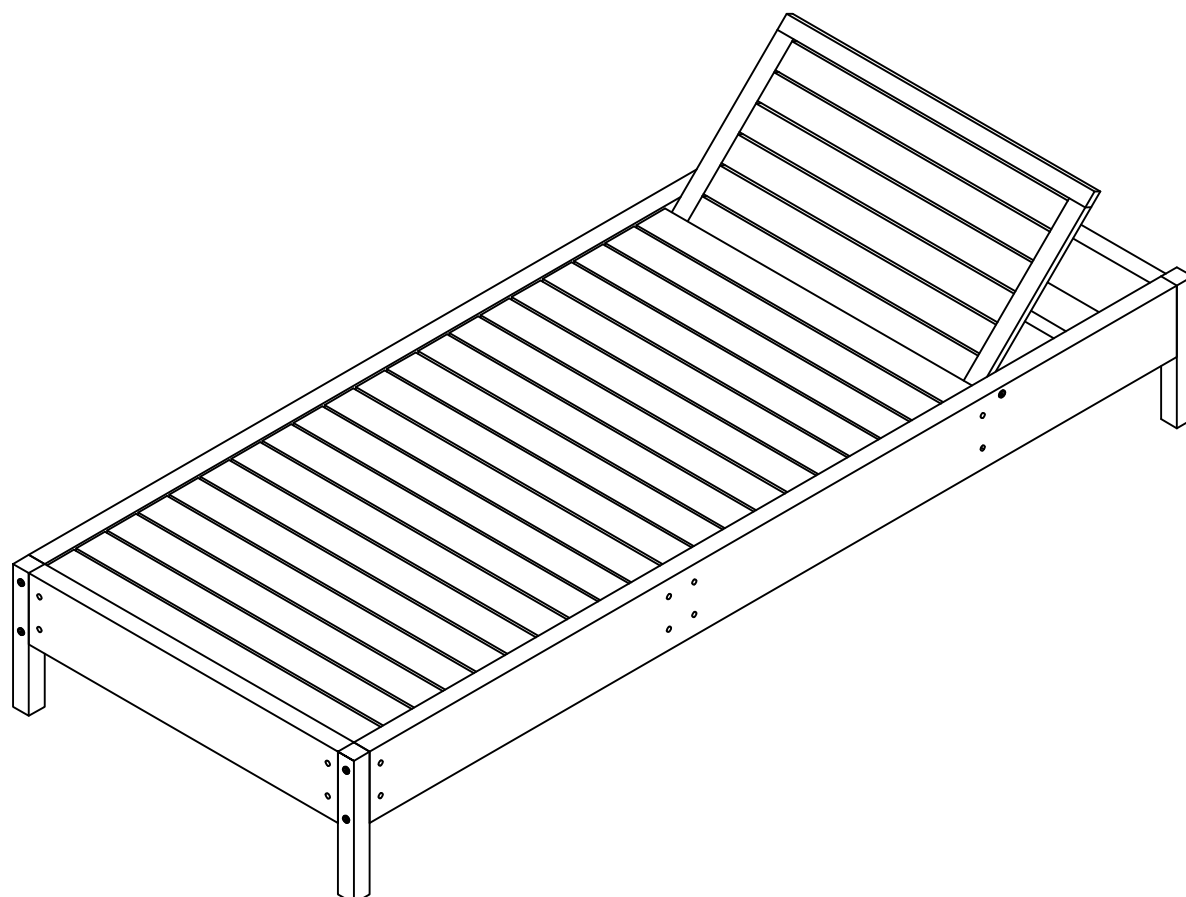


ASSEMBLY INSTRUCTIONS

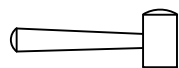
BULH0229 CHAISE



REPLACEMENT PARTS

Please do not contact the company purchased from as we can help you faster.
Order replacement parts and hardware at “www.boltonfurniture.com”

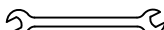
Tools Required (Not Included)



Rubber Hammer



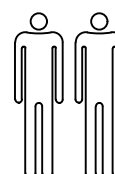
Phillips Screwdriver



Wrench

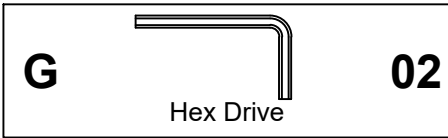
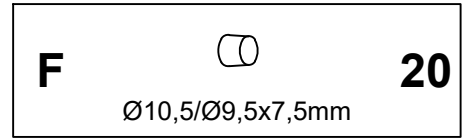
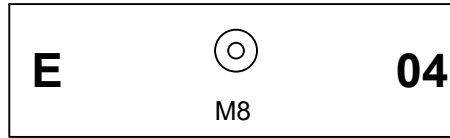
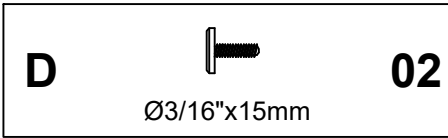
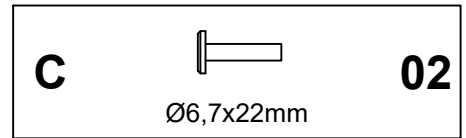
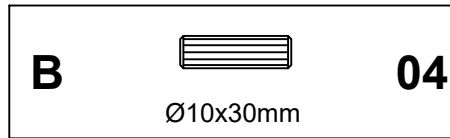
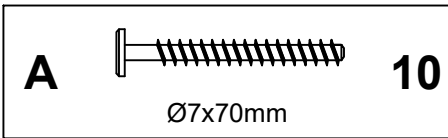


Cordless Drive (*)

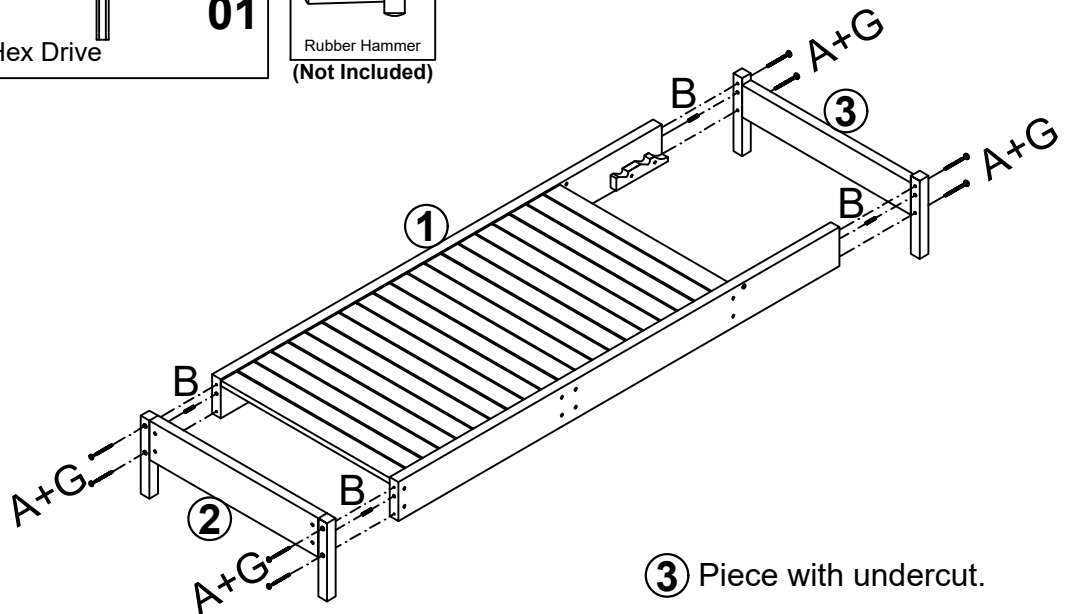
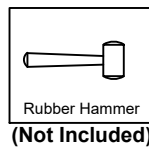
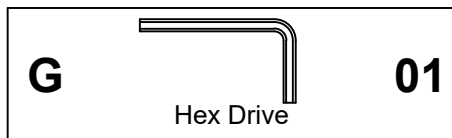
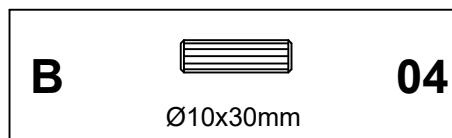
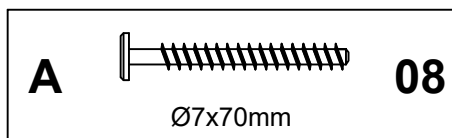


(*) NOTE: Optional - use in place of hex drive.

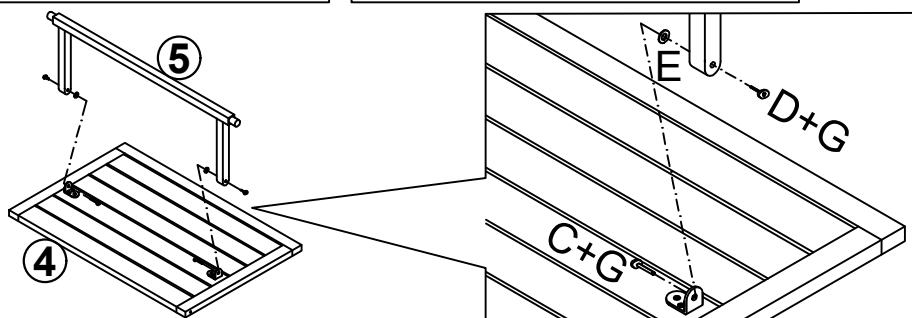
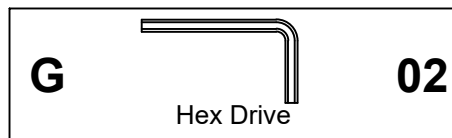
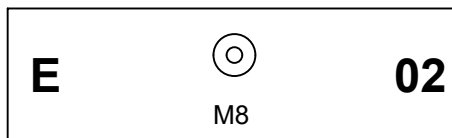
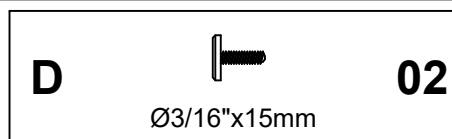
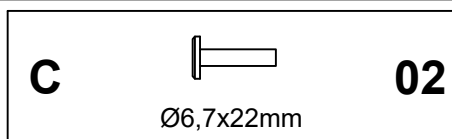
Identifying the Hardware-Identify the hardware using the illustrations below.



01

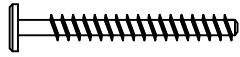


02



03

A



Ø7x70mm

02

E



M8

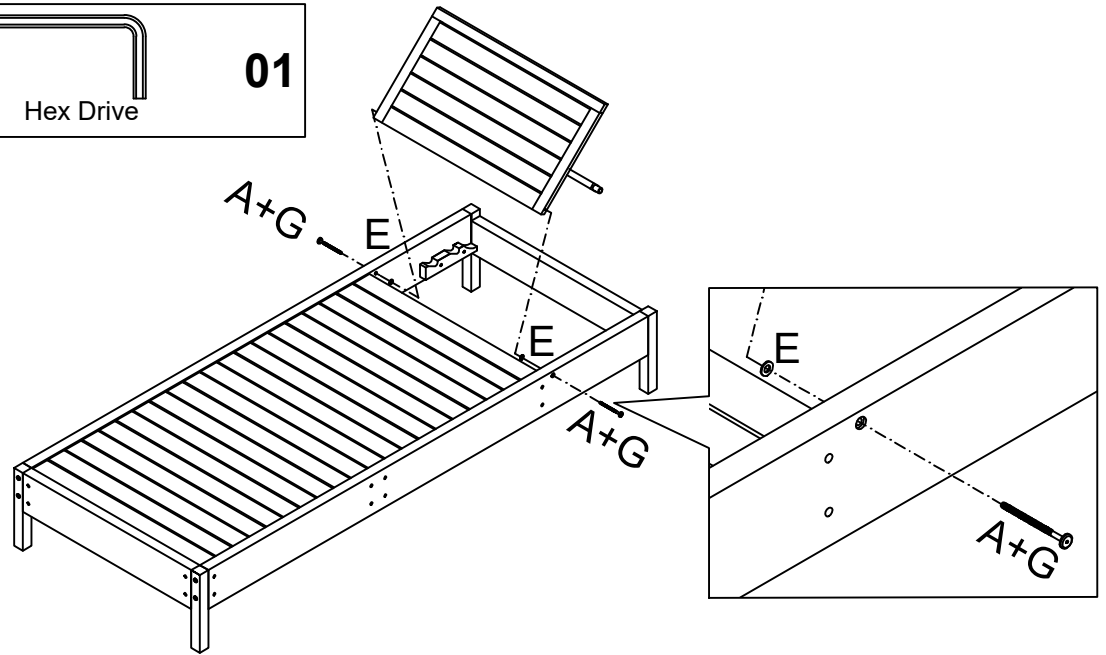
02

G



Hex Drive

01



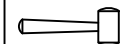
04

F

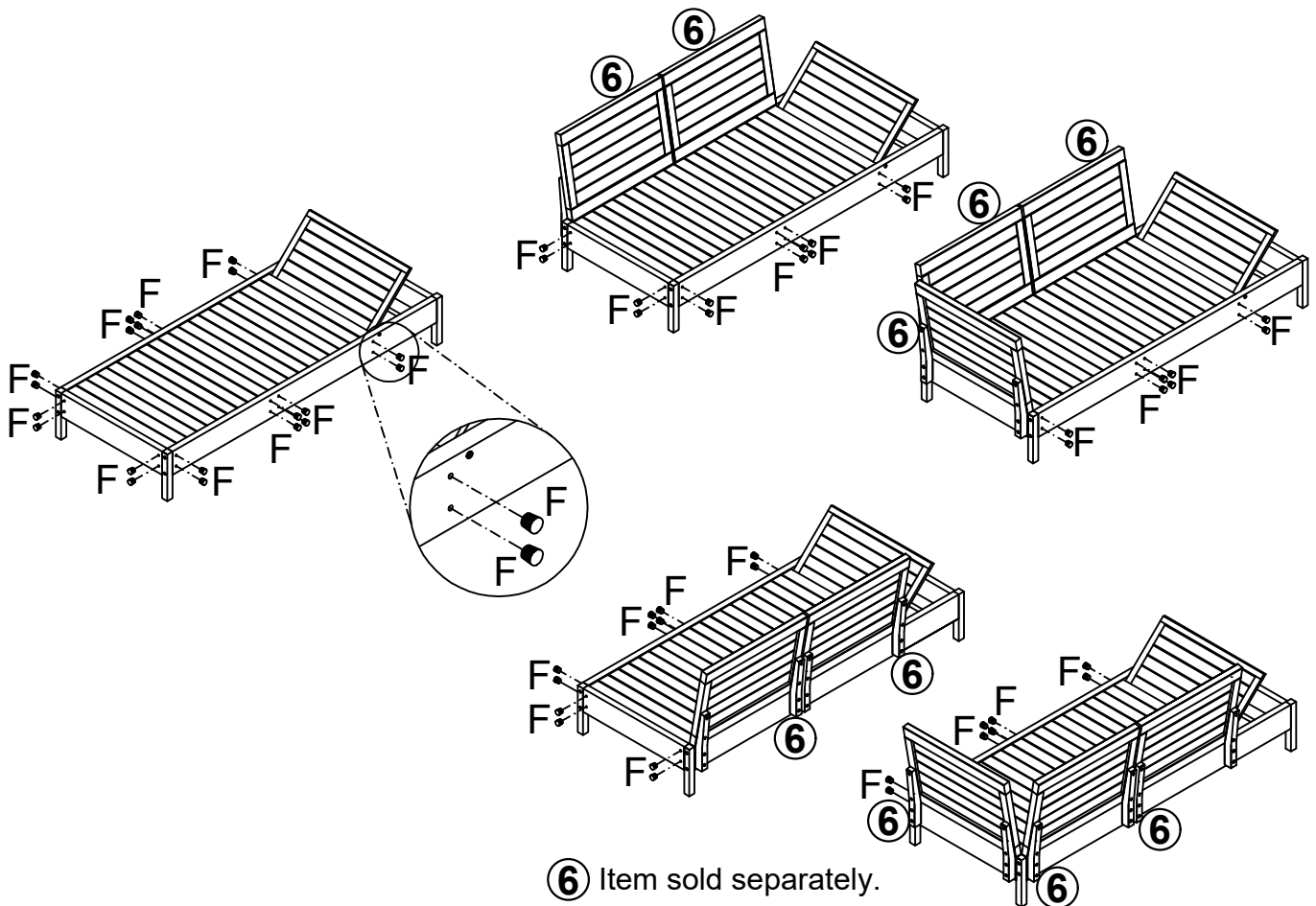


Ø10,5/Ø9,5x7,5mm

20



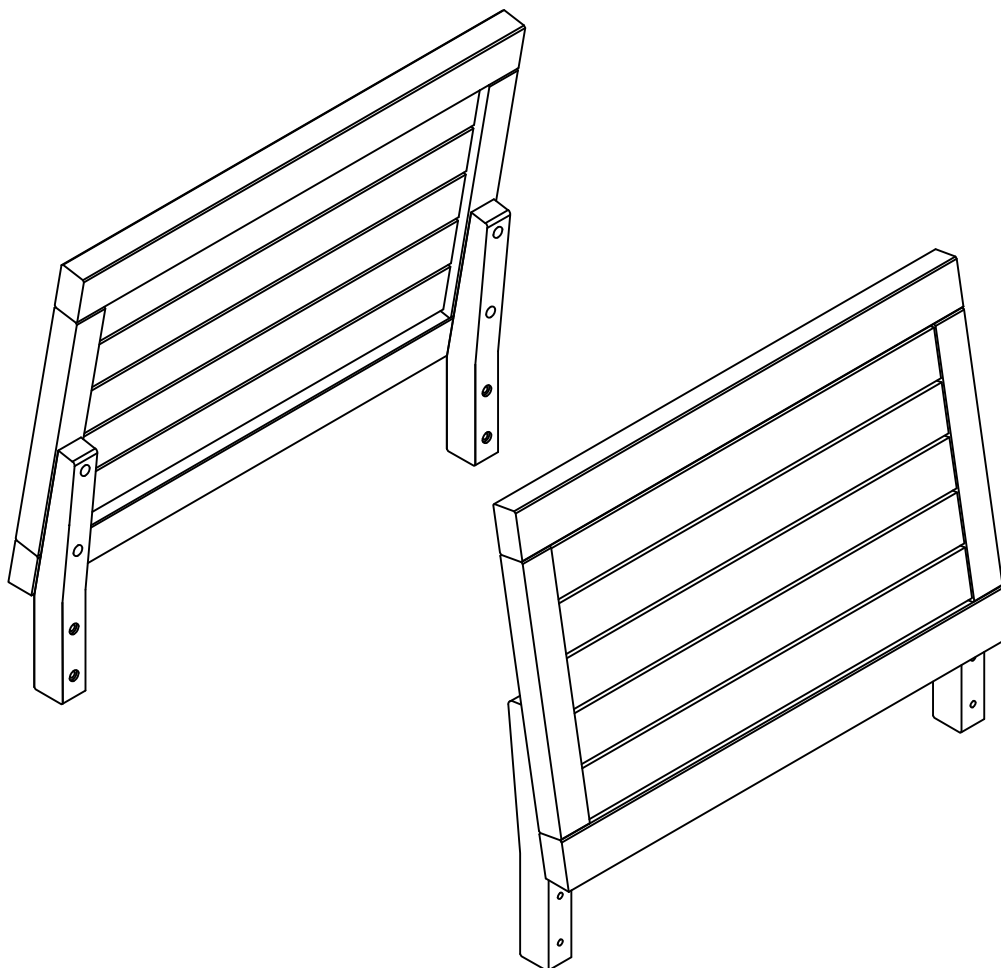
Rubber Hammer
(Not Included)



⑥ Item sold separately.

ASSEMBLY INSTRUCTIONS

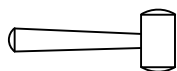
BULH0329 BACK



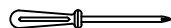
REPLACEMENT PARTS

Please do not contact the company purchased from as we can help you faster.
Order replacement parts and hardware at “www.boltonfurniture.com”

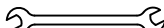
Tools Required (Not Included)



Rubber Hammer



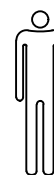
Phillips Screwdriver



Wrench

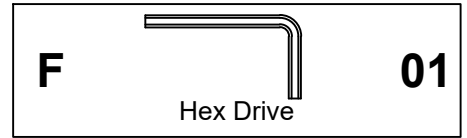
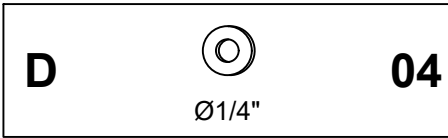
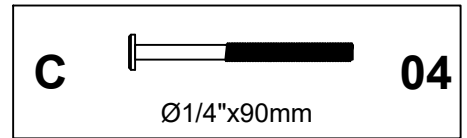
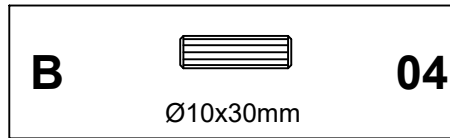
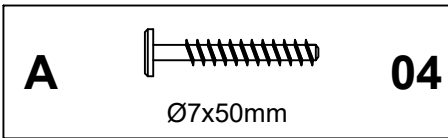


Cordless Drive (*)

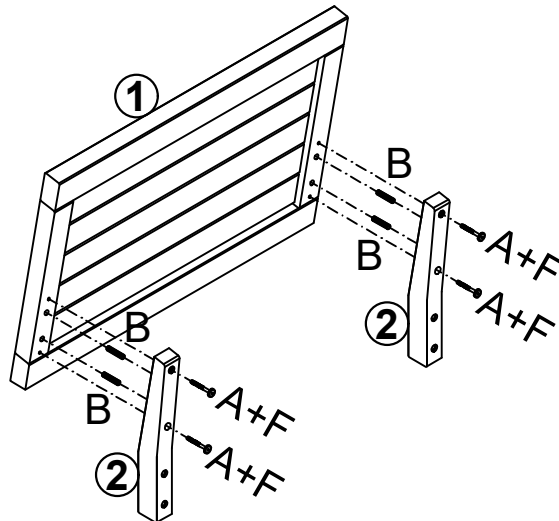
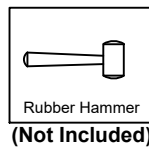
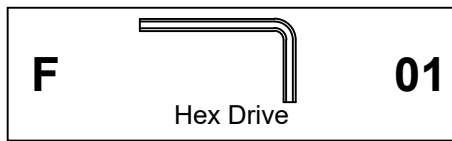
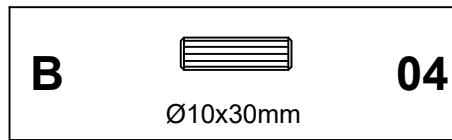
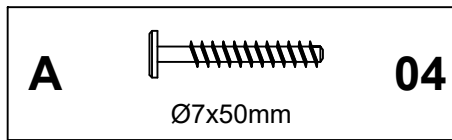


(*) NOTE: Optional - use in place of hex drive.

Identifying the Hardware-Identify the hardware using the illustrations below.



01



02

